



Dial Indicators and Stands

Dial Indicators	122 – 141
Digital Dial Indicators	122 – 128
Absolute Digital Dial Indicators	123 – 127
Analog Dial Indicators	129 – 133
Dial Indicators, Accessories.....	134 – 138
Test Dial Indicators	139 – 141
Machinery Setting Devices	142 – 144
Zero Setting Devices	142
Centering Devices	142
Edge Finders.....	143 – 144
Measuring Stands and Accessories	144 – 151
Measuring Stands	144 – 147
Magnetic Bases	148
Stand Columns and Accessories.....	149 – 150
Measuring Tables	150 – 151

Image Directory • Dial Indicators and Stands

				
Page 122	Page 122	Page 122	Page 122	Page 122
				
Page 122	Page 123	Page 123	Page 123	Page 124
				
Page 124	Page 125	Page 126	Page 126	Page 126
				
Page 127	Page 127	Page 128	Page 128	Page 128
				
Page 128	Page 129	Page 129	Page 129	Page 129
				
Page 130	Page 130	Page 131	Page 131	Page 131
				
Page 132	Page 132	Page 134	Page 134	Page 134

Image Directory • Dial Indicators and Stands

Page 134	Page 134	Page 135	Page 135	Page 135
Page 135	Page 135	Page 135	Page 138	Page 138
Page 138	Page 138	Page 138	Page 138	Page 138
Page 138	Page 139	Page 139	Page 140	Page 139
Page 140	Page 140	Page 140	Page 141	Page 141
Page 141	Page 141	Page 141	Page 141	Page 141
Page 141	Page 141	Page 141	Page 141	Page 142

Image Directory • Dial Indicators and Stands

				
Page 142	Page 142	Page 143	Page 143	Page 143
				
Page 143	Page 143	Page 143	Page 143	Page 144
				
Page 144	Page 144	Page 144	Page 144	Page 144
				
Page 145	Page 145	Page 145	Page 146	Page 146
				
Page 146	Page 146	Page 146	Page 146	Page 147
				
Page 147	Page 147	Page 148	Page 148	Page 148
				
Page 148	Page 148	Page 149	Page 149	Page 149

Image Directory • Dial Indicators and Stands

				
Page 149	Page 149	Page 149	Page 149	Page 149
				
Page 149	Page 149	Page 149	Page 150	Page 150
				
Page 150	Page 150	Page 150	Page 150	Page 150
				
Page 150	Page 150	Page 150	Page 150	Page 151
				
Page 151				



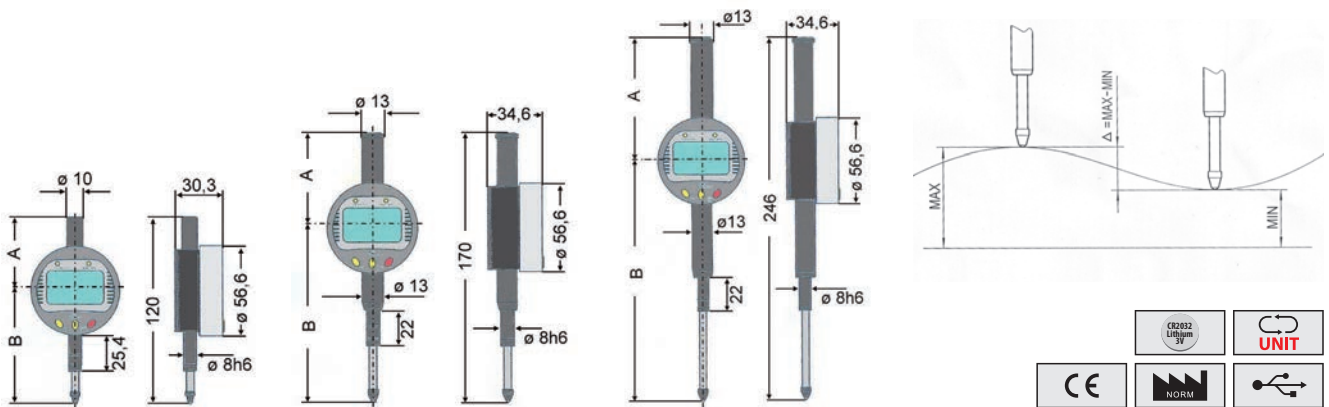
Digital Dial Indicators

Electr. Digital Dial Indicator

- standard model for industry and craft
- with data output
- aluminium housing with sturdy plastic cover
- large LCD display with clear reading, digit height 10 mm
- stem and spindle stainless, hardened and lapped
- exchangeable probe tips, M2.5
- On/Off button, ABS and Preset function
- zero setting at any position, mm/inch switchable
- with bar display (art. no.: 242055, 242056 and 242057)
- min./max., tol. and set function (selection and indication of tolerance limits)
- with flat backcover and backcover with lug
- incl. 1x 3 V battery (Type CR2032, art. no.: 90112), with operation manual

Option

- data transfer via cable, art. no.: 2420192, see page 272



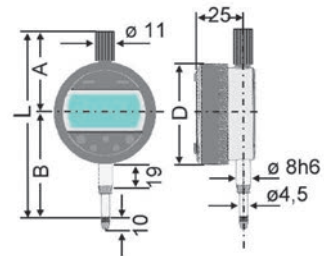
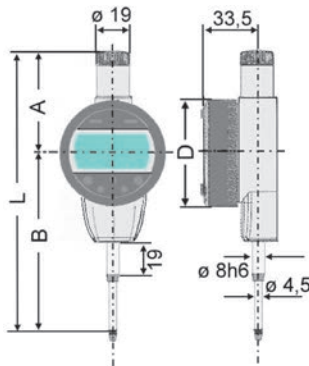
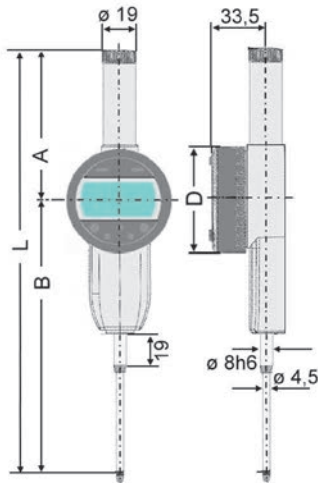
ART No	mm / inch	mm / inch	mm	mm	measuring force N	min/max tol/set	A mm	B mm	CC
242060	0 – 12.70 / 0 – 0.50	0.010 / 0.00050	0.01	0.01	< 1.50	✓	50	75	on request
242055	0 – 12.70 / 0 – 0.50	0.001 / 0.00005	0.003	0.05	< 1.50	✓	50	75	on request
242160	0 – 12.70 / 0 – 0.50	0.001 / 0.00005	0.003	0.05	< 1.50	✓	50	75	on request
242163	0 – 25.40 / 0 – 1.00	0.010 / 0.00050	0.01	0.015	< 1.50	✓	60	120	on request
242056	0 – 25.40 / 0 – 1.00	0.001 / 0.00005	0.003	0.05	< 1.50	✓	60	110	on request
242161	0 – 25.40 / 0 – 1.00	0.001 / 0.00005	0.003	0.06	< 1.50	✓	60	110	on request
242164	0 – 50.80 / 0 – 2.00	0.010 / 0.00050	0.01	0.03	< 1.50	✓	85	155	on request
242057	0 – 50.80 / 0 – 2.00	0.001 / 0.00005	0.003	0.05	< 1.50	✓	90	160	on request
242162	0 – 50.80 / 0 – 2.00	0.001 / 0.00005	0.03	0.08	< 1.50	✓	85	155	on request

„Absolute“ Electr. Digital Dial Indicator

- top model for industry purposes
- with optical tolerance alarm by LED signal
- with Bluetooth® data output
- spray water proof, acc. to 40050 / IEC 60529
- mechanical parts in stainless steel, hardened, IP51 protected
- housing IP54 protected, front plate made of plastic
- large LCD display with clear reading, 10 mm digit height
- On/Off button, LED signal for data transmitting and tolerance range
- with PRESET/ORIGIN/ABS/INC-system
- mm/inch switchable, from up to 25 mm with lifting device
- incl. 3 V battery (type CR2032, art. no.: 90112), with operation manual

Options

- data transfer via cable, art. no.: 3420195, see page 272
- data transfer via WiFi, art. no.: 2040102, see page 272
- data transfer via Bluetooth®, art. no.: 2023106, see page 272



ART No	mm / inch	mm / inch	mm	max. mm	L mm	A mm	B mm	D mm	CC
240280	12.5 / 0.5	0.01 / 0.0005	0.002	0.01	129.2	60.2	69.0	60.1	on request
240285	12.5 / 0.5	0.001 / 0.00005	0.002	0.004	129.2	60.2	69.0	60.1	on request
240281	25.0 / 1.0	0.01 / 0.0005	0.002	0.01	159.2	57.7	101.5	60.1	on request
240286	25.0 / 1.0	0.001 / 0.00005	0.002	0.004	159.2	57.7	101.5	60.1	on request
240282	50.0 / 2.0	0.01 / 0.0005	0.002	0.015	236.2	83.7	152.5	60.1	on request
240287	50.0 / 2.0	0.001 / 0.00005	0.002	0.005	236.2	83.7	152.5	60.1	on request

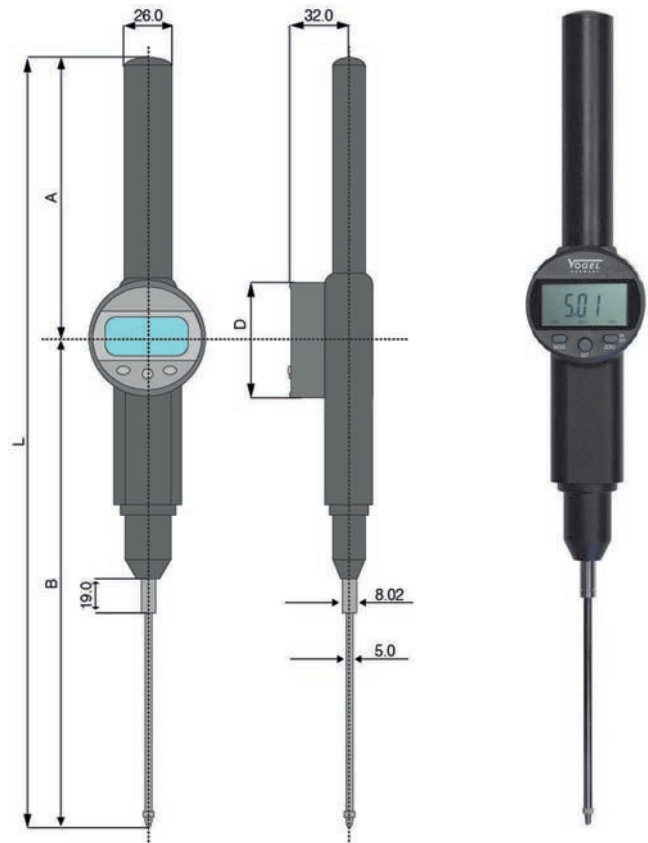
Digital Dial Indicators

„Absolute“ Electr. Digital Dial Indicator • IP54

- top model for industry purposes
- with data output
- spray water proof, acc. to 40050 / IEC 60529
- mechanical parts in stainless steel, hardened, IP51 protected
- housing IP54 protected, front plate made of plastic
- large LCD display with clear reading, 10 mm digit height
- On/Off button, with tolerance presetting and display for tolerance range
- ORIGIN/ABS/INC-system
- mm/inch switchable
- incl. 1x 3 V battery (Type CR2032, art. no.: 90112), with operation manual

Option

- data transfer via cable, art. no.: 2420192, see page 272



ART NO	mm / inch	mm / inch	mm	max. mm	L mm	A mm	B mm	D mm	CC
240270	100 / 4	0.01 / 0.0005	0.002	0.01	405	150	255	50	on request

Electr. Digital Small Dial Indicator • IP40

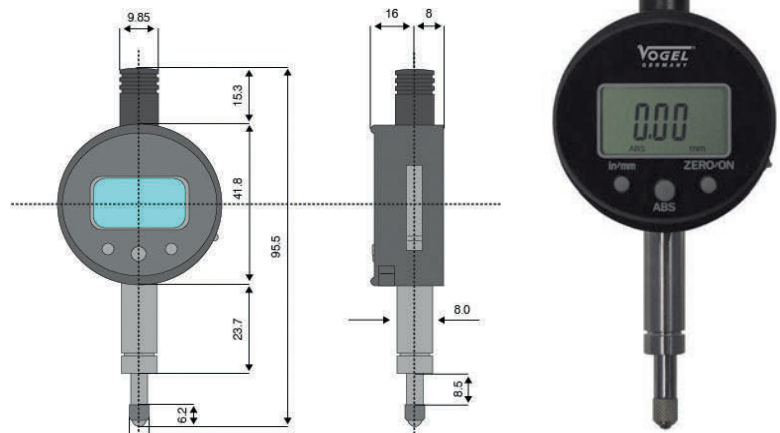
- with data output
- mechanical parts in stainless steel, hardened
- housing made of aluminium, front plate made of plastic
- LCD display with clear reading, digit height 8 mm
- On/Off button, ABS/INC measurement system
- mm/inch switchable, +/- pre-select value, PRESET
- switchable measuring direction
- incl. 1x 3 V battery (Type CR1632, art. no.: 90101), incl. operation manual

Option

- data transfer via cable, art. no.: 2420192, see page 272



Display



ART NO	mm / inch	mm / inch	mm	max. mm	CC
240235	5 / 0.2	0.01 / 0.0005	0.02	0.01	on request

Sylvac • Electr. Digital Indicators S_Dial Work, Advanced • IP54

ART N° 240266

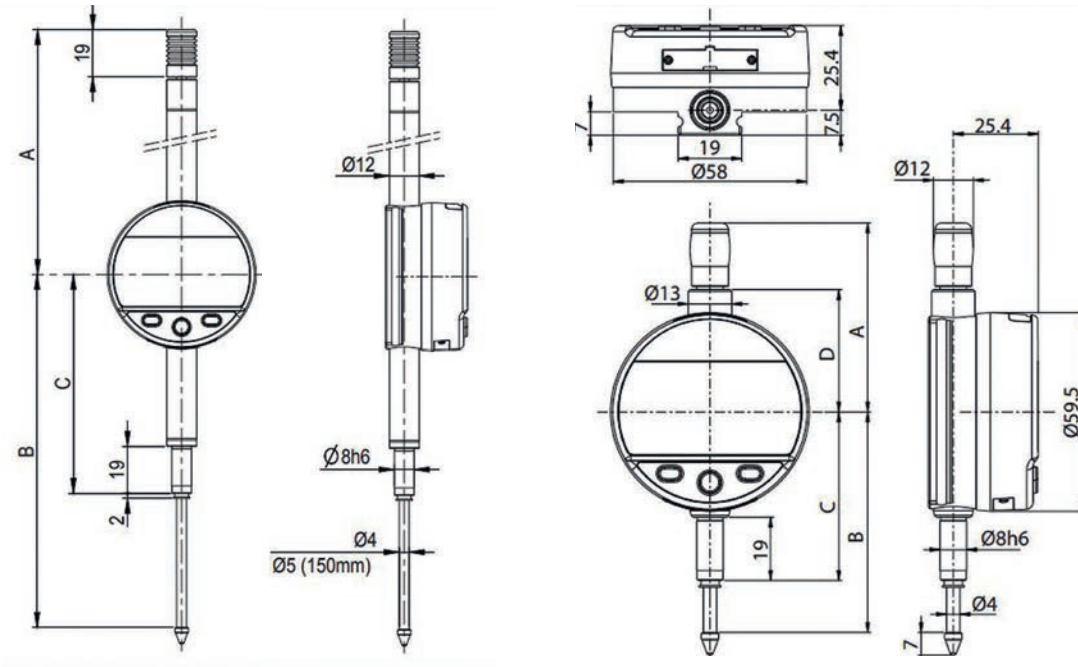
• with proximity data output

- robust structure
- water and coolant resistant
- aluminium case, rotating display over 270°
- LCD display with clear reading, with integrated LEDs tolerances, 10 mm digit height
- automatic wake-up and sleeping mode, (absolute system S.I.S)
- broad choice (MIN / MAX / DELTA, TOL, facror, PRESET, AUTO, OFF etc.)
- data output via cable Proximity to USB oder RS232
- mm/inch switchable, measuring direction reversible
- incl. 1x 3 V battery (Type CR2032, art. no.: 90112), with operation manual

Options

- data output via cable, Proximity – USB, art. no.: 2023101
- data output via cable, Power- USB, external power, art. no.: 2424101, see page 272

ART N° 240242



ART N°	mm / inch	mm / inch	mm	mm	A mm	B mm	C mm	D mm	
240242	12.5 / 0.5	0.01 / 0.0005	0.002	0.010	56.7	66.1	50.5	36.6	on request
240262	12.5 / 0.5	0.001 / 0.00005	0.002	0.003	56.7	66.1	50.5	36.6	on request
240243	25.0 / 1.0	0.01 / 0.0005	0.002	0.010	69.4	78.5	50.5	49.4	on request
240263	25.0 / 1.0	0.001 / 0.00005	0.002	0.004	69.4	78.5	50.5	49.4	on request
240244	50.0 / 2.0	0.01 / 0.0005	0.002	0.020	121.0	142.0	88.0	—	on request
240264	50.0 / 2.0	0.001 / 0.00005	0.002	0.005	121.0	142.0	88.0	—	on request
240245	100.0 / 4.0	0.01 / 0.0005	0.002	0.020	172.0	244.0	139.0	—	on request
240265	100.0 / 4.0	0.001 / 0.00005	0.002	0.006	172.0	244.0	139.0	—	on request
240246	150.0 / 6.0	0.01 / 0.0005	0.002	0.020	224.0	349.0	193.0	—	on request
240266	150.0 / 6.0	0.001 / 0.00005	0.002	0.010	224.0	349.0	193.0	—	on request

Digital Dial Indicators

Sylvac • Electr. Digital Indicators S_Dial Work, Advanced • IP67

ART N° 240292

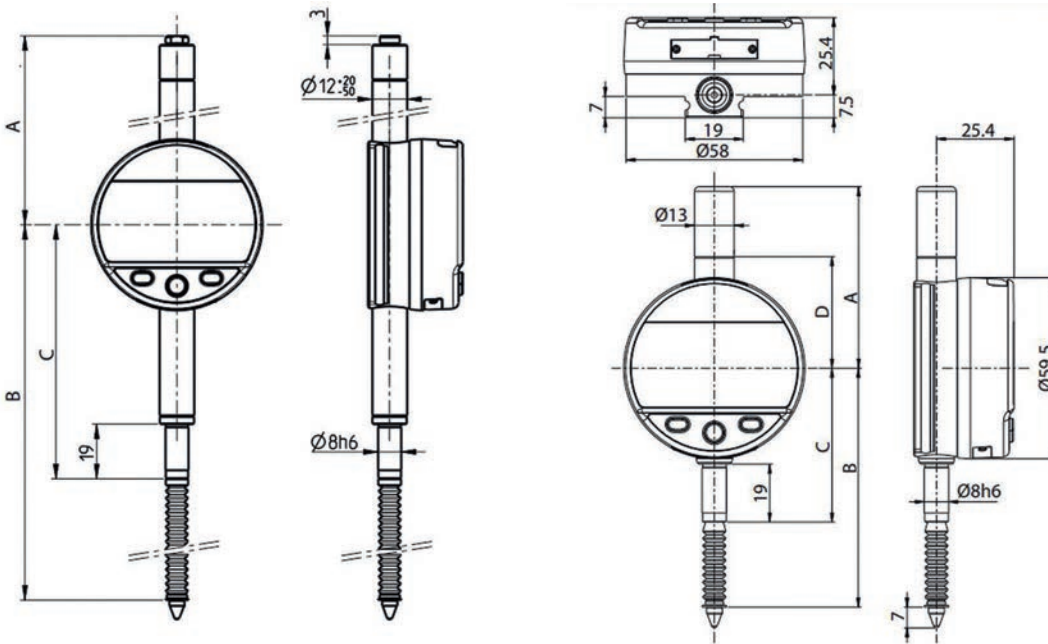
• with proximity data output

- robust structure
- water and coolant resistant, protection class IP67 acc. to IEC 60529
- aluminium case, rotating display over 270°
- LCD display with clear reading, with integrated LEDs tolerances, 10 mm digit height
- automatic wake-up and sleeping mode (Absolute System S.I.S)
- broad choice of functions (MIN / MAX / DELTA, TOL, factor, PRESET, AUTO, OFF etc.)
- data output via cable Proximity to USB or RS232
- mm/inch switchable, measuring direction reversible
- incl. 1x 3 V battery (type CR2032, art. no.: 90112), with operating manual

ART N° 240290



Data cables for digital measuring instruments you will find on page 272



ART N°	mm / inch	mm / inch	mm	mm	A mm	B mm	C mm	D mm	CC
240290	12.5 / 0.5	0.001 / 0.00005	0.002	0.003	59.6	78.4	50.5	36.3	on request
240291	25.0 / 1.0	0.001 / 0.00005	0.002	0.004	85.4	99.7	50.5	49.4	on request
240292	50.0 / 2.0	0.001 / 0.00005	0.002	0.005	104.4	175.3	88.0	—	on request

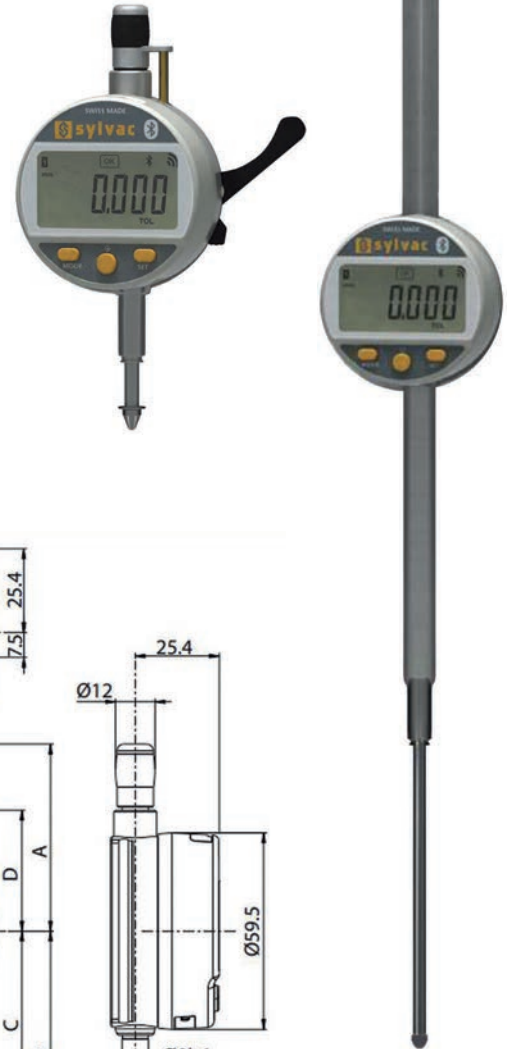
Sylvac • Electr. Digital Indicators S_Dial Work, Advanced • IP54

ART N° 240297

• with integrated Bluetooth® technology

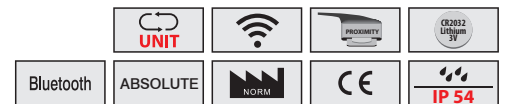
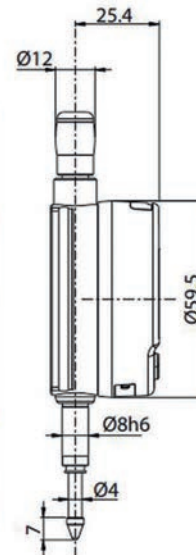
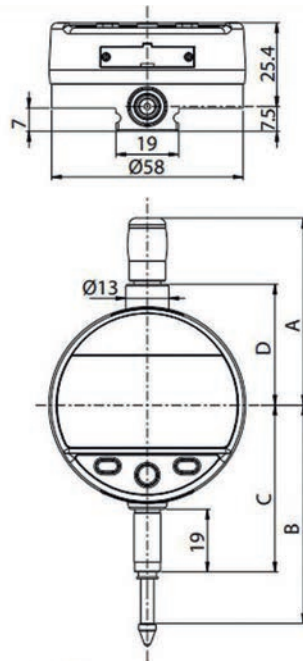
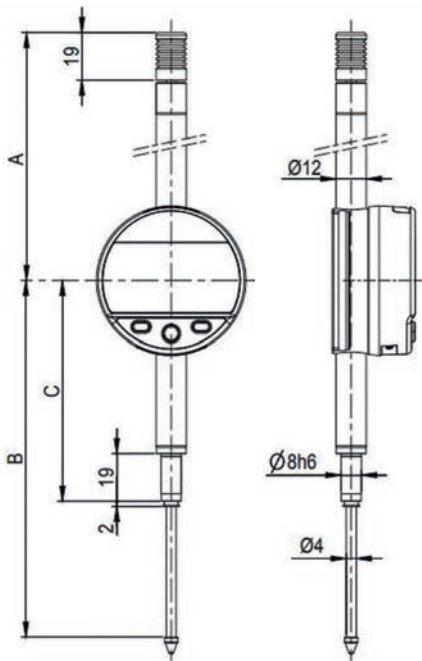
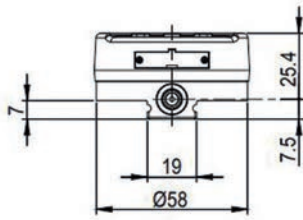
- robust structure
- aluminium case, rotating display over 270°
- LCD display with clear reading, with integrated LEDs tolerance LEDs, 10 mm digit height
- automatic wake-up and sleeping mode (Absolute System S.I.S)
- broad choice of functions (MIN / MAX / DELTA, TOL, factor, PRESET, AUTO, OFF etc.)
- data output via Bluetooth® or cable Proximity to USB or RS232
- mm/inch switchable, measuring direction reversible
- incl. 1x 3 V battery (Type CR2032, art. no.: 90112), with operation manual

ART N° 240295



Options

- data output via cable, Proximity – USB, art. no. 2023101, see page 272
- data output via cable, Power – USB, external power, art. no.: 2424101, see page 272
- data output via Bluetooth®, art. no.: 2023106S, see page 272



ART N°	mm / inch	mm / inch	mm	mm 1 Digit	A mm	B mm	C mm	D mm	CC
240295	12.50 / 0.50	0.001 / 0.00005	0.002	0.003	56.70	66.10	50.50	36.30	on request
240296	25.00 / 1.00	0.001 / 0.00005	0.002	0.004	69.40	78.50	50.50	49.40	on request
240297	50.00 / 2.00	0.001 / 0.00005	0.002	0.005	121.00	142.00	88.00	—	on request
240298	100.00 / 4.00	0.001 / 0.00005	0.002	0.006	172.00	244.00	139.00	—	on request

Digital Dial Indicators

Sylvac • Electr. Digital Small Dial Indicators

- dial indicators „Type P“ water and coolant proof acc. to DIN 40050 / IEC 60529 (IP67)
- with Sylvac electronic
- with data output RS232 „Power“
- with integrated Bluetooth® technology

- mechanical parts in stainless steel, hardened
- housing and front plate made of polyamide
- LCD display with clear reading, digit height 6 mm
- autom. On/Off switching, zero setting at any position
- hold function, absolute and relative mode, pre-select value
- mm/inch switchable, reversal of the measuring device
- with dovetail guide at the back
- incl. 1x 3 V battery (Type CR2032, art.-no.: 90112), with operation manual

Options

- data output via cable, Proximity – USB, art.-no. 2023101, see page 272
- data output via cable, Power – USB, external power, art.-no.: 2424101, see page 272
- data output via Bluetooth®, art.-no.: 2023106S, see page 272

ART N° 240231

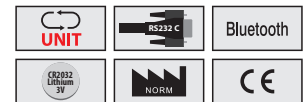
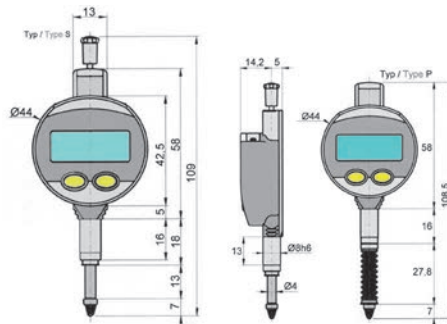
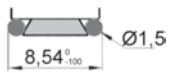


Type S

ART N° 240230



Type P (IP67)



ART N°	mm / inch	mm / inch	mm	mm 1) 1 Digit	Type P protected	Type S standard	measuring force N	CC
240230	0 – 12.7 / 0 – 0.5	0.01 / 0.0005	0.002	0.010	✓	—	0.60 – 1.30	on request
240231	0 – 12.7 / 0 – 0.5	0.01 / 0.0005	0.002	0.010	—	✓	0.50 – 0.90	on request
240232	0 – 12.7 / 0 – 0.5	0.001 / 0.00005	0.002	0.004	✓	—	0.60 – 1.30	on request
240233	0 – 12.7 / 0 – 0.5	0.001 / 0.00005	0.002	0.004	—	✓	0.50 – 0.90	on request

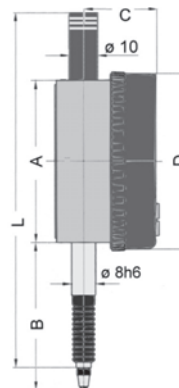
Electr. Digital Dial Indicators • IP65

- water and coolant proof acc. to DIN 40050 / IEC 60529
- with mini USB data output

- mechanical parts in stainless steel, hardened
- housing made of aluminium, front plate made of plastic
- LCD display with clear reading, digit height 11 mm
- On/Off button, ABS/INC measurement system
- zero setting at any position, ± pre-select value, PRESET
- mm/inch switchable
- incl. 1x 3 V battery (Type CR2032, art.-no.: 90112), with operation manual

Options

- spare rubber sleeve (art.-no.: 249915)
- data transfer via cable for art.-no.: 242140, art.-no.: 2420192, see page 272



ART N° 242140



ART N° 242150

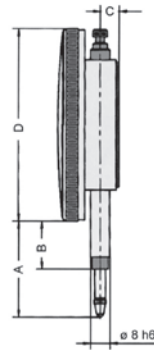


ART N°	mm / inch	mm / inch	mm	mm 1) 1 Digit	A mm	B mm	C mm	D mm	L mm	CC
242140	12.5 / 0.5	0.01 / 0.0005	0.02	0.01	59	65	30	59.5	145	on request
242150	12.5 / 0.5	0.001 / 0.00005	0.004	0.003	59	65	30	59.5	145	on request

Small Dial Indicators

workshop grade

- standard quality
- e.g. for workshop use
- metal housing, matt chrome finish
- spindle and stem stainless and hardened
- with turnable scale by outer ring, for easy zero setting

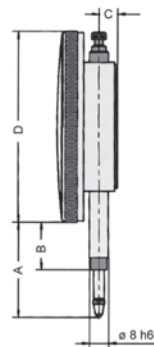


ART N ^o	mm	mm	mm	A mm	B mm	C mm	D-ø mm	CC
241001	0 – 3	0.01	0.5	28	14	8.2	45	on request
241002	0 – 5	0.01	0.5	28	14	8.2	45	on request

Käfer • Small Dial Indicators

DIN 878 / workshop grade

- sturdy design, for workshop use and calibration purposes
- solid brass housing, matt chrome finish
- spindle and stem stainless, hardened and lapped
- adjustable tolerance fingers
- from up 0.001 mm reading in workshop grade
- with turnable scale by outer ring, for easy zero setting

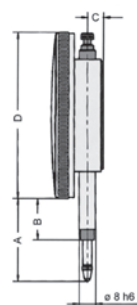


ART N ^o	mm	mm			mm	A mm	B mm	C mm	D-ø mm	CC
			yes	no						
240001	0 – 3	0.01	—	X	0.5	28.5	14	7.3	40	on request
240002	0 – 5	0.01	—	X	0.5	28.5	14	7.3	40	on request
240003	0 – 1	0.001	—	X	0.2	28.5	14	7.3	40	on request
240121	0 – 3	0.01	✓	—	0.5	28.5	14	7.3	40	on request
240122	0 – 5	0.01	✓	—	0.5	28.5	14	7.3	40	on request
240123	0 – 1	0.001	✓	—	0.2	28.5	14	7.3	40	on request

Dial Indicators

workshop grade

- standard quality
- e.g. for workshop use
- solid brass housing, matt chrome finish, adjustable tolerance fingers
- spindle and stem stainless steel and hardened
- with turnable scale by outer ring, for easy zero setting



ART N ^o	mm	mm			mm	A mm	B mm	C mm	D-ø mm	CC
			yes	no						
241101	0 – 10	0.01	—	X	1	43	22	8.2	57	on request
241103	0 – 1	0.001	—	X	0.2	33.5	22.0	8.0	57	on request
241131	0 – 10	0.01	✓	—	1	43	22	8.2	57	on request

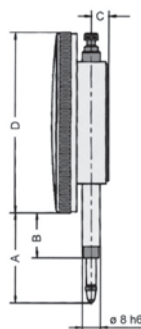
Analog Dial Indicators

Käfer • Dial Indicators

DIN 878

- **sturdy design, for workshop use and calibration purposes**

- solid brass housing, matt chrome finish
- stem and spindle stainless steel, hardened and lapped
- adjustable tolerance fingers, from 0.001 mm with factory accuracy
- with turnable scale by outer ring, for easy zero setting



DIN

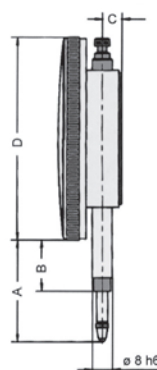
ART NO	mm	mm	mm		mm	A mm	B mm	C mm	D-ø mm	CC
			yes	no						
240101	0 – 10	0.01	—	X	1.0	40	18.5	7.5	58	on request
240103	0 – 1	0.001	—	X	0.2	40	18.5	7.5	58	on request
240106	0 – 5	0.001	—	X	0.2	40	18.5	7.5	58	on request
240131	0 – 10	0.01	✓	—	1.0	40	18.5	7.5	58	on request
240133	0 – 1	0.001	✓	—	0.2	40	18.5	7.5	58	on request

Dial Indicator

high workshop grade

- **for large measuring ranges**
- **concentric millimeter scale**

- metal housing, matt chrome finish, adjustable tolerance fingers
- stem and spindle stainless and hardened
- with turnable scale by outer ring, for easy zero setting
- with flat backcover and backcover with lug
- incl. calibration certificate

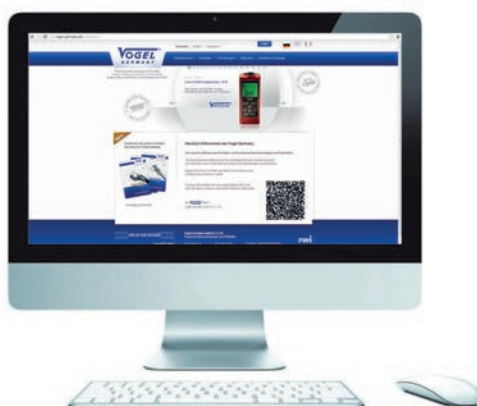


NORM

ART NO	mm	mm	mm	A mm	B mm	C mm	D-ø mm	CC
241121	0 – 30	0.01	1	60	22.5	8	60	inclusive

Explore our **Website.**

www.vogel-germany.de



VOGEL
GERMANY

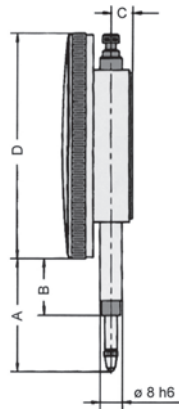
Any questions?

We are pleased to advise.

Käfer • Dial Indicators

• with concentric millimeter scale

- solid brass housing, matt chrome finish
- stem and spindle stainless, hardened and lapped
- adjustable tolerance fingers
- with turnable scale by outer ring, for easy zero



ART N° 240102



ART N° 240134



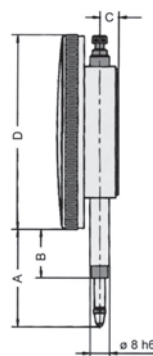
ART N°	mm	mm	mm		mm	A mm	B mm	C mm	D-ø mm	CC
			yes	no						
240102	0 – 30	0.01	—	X	1	60.0	18.5	7.5	58	on request
240104	0 – 50	0.01	—	X	1	97.5	36.5	7.5	58	on request
240105	0 – 100	0.01	—	X	1	178.0	65.5	8.5	80	on request
240110	0 – 100	0.01	—	X	1	147.5	56.5	7.5	58	on request
240111	0 – 10	0.01	—	X	1	40.0	18.5	7.5	58	on request
240132	0 – 30	0.01	✓	—	1	60.0	18.5	7.5	58	on request
240134	0 – 50	0.01	✓	—	1	97.5	36.5	7.5	58	on request
240135	0 – 80	0.01	✓	—	1	147.5	56.5	7.5	58	on request

Käfer • Dial Indicators • IP67

DIN 878

• water-, coolant and oil tight acc. to DIN 40050 / IEC 60529

- solid brass housing, matt chrome finish, stem with rubber sleeve
- stem and spindle stainless, hardened and lapped
- adjustable tolerance fingers, shadowfree flat glass, perfect sealed by O-rings
- with turnable scale by outer ring, for easy zero setting
- version with 0.001 mm and 0.002 mm reading are acc. to workshop grade



DIN

ART N°	mm	mm	mm		mm	A mm	B mm	C mm	D-ø mm	CC
			yes	no						
240151	0 – 10	0.01	✓	—	1.0	45.5	16.7	9.3	61.5	on request
240152	0 – 3	0.01	✓	—	0.5	33.0	11.6	9.3	44.5	on request
240153	0 – 1	0.001	✓	—	0.2	45.5	16.7	9.3	61.5	on request
240154	0 – 1	0.002	✓	—	0.2	33.0	11.6	9.3	44.5	on request

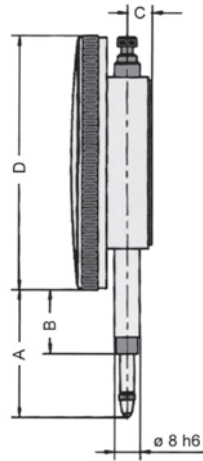
Analog Dial Indicators

Käfer • Dial Indicators

DIN 878

- with magnetic backside

- solid brass housing, matt chrome finish
- stem and spindle stainless, hardened and lapped
- adjustable tolerance fingers
- with turnable scale by outer ring, for easy zero setting

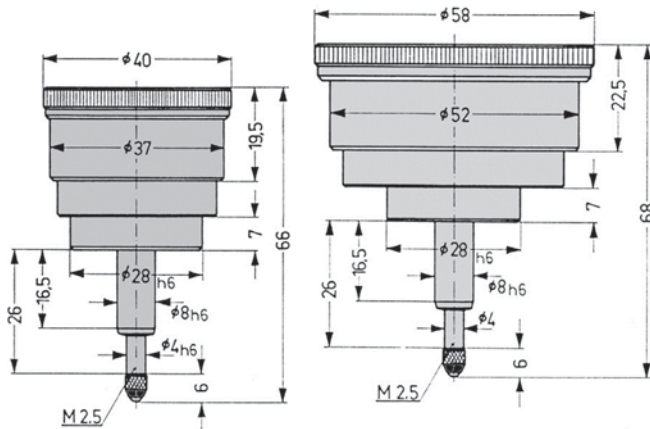


ART NO	mm	mm			A mm	B mm	C mm	D-ø mm	CC
			yes	no					
240001-1	0 – 3	0.01	—	X	28	14	25	40	on request
240101-1	0 – 10	0.01	—	X	40	18.5	25	58	on request
240121-1	0 – 3	0.01	✓	—	28	14	25	40	on request
240131-1	0 – 10	0.01	✓	—	40	18.5	25	58	on request

Käfer • Dial Indicators

- with probe in the center of the back plate
- especially for measuring in appliances and tool engineering

- solid brass housing, matt chrome finish
- stem and spindle stainless, hardened and lapped
- adjustable tolerance fingers
- with turnable scale by outer ring, for easy zero setting



ART NO	mm	mm	mm	number of pointers	housing-ø mm	CC
240020	0 – 3	0.01	1	2	58	on request
240021	0 – 5	0.01	1	2	58	on request
240023	0 – 3	0.01	0.5	2	40	on request
240024	0 – 5	0.01	0.5	2	40	on request

Why actually Vogel Germany?

Besides a wide range of products which offer the right solution for every application, Vogel Germany is a service oriented company that is also powerful in consulting, training and logistics.

For further information on Vogel Germany please visit:

www.vogel-germany.de



Vogel Germany

- ✓ offers best customer service
- ✓ belongs to the strong Fervi Group
- ✓ offers quality Made in Germany

VOGEL
GERMANY

Accessories for Dial Indicators

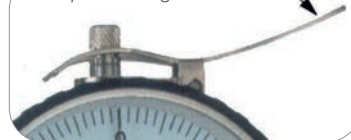
Spindle Lifting Lever

- for our analogous and digital dial indicator
- please choose the suitable lever control according to the art. no. of our dial indicators

Example: Digital Indicator

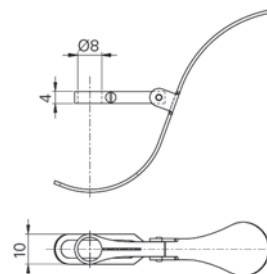


Example: Analogous Indicator



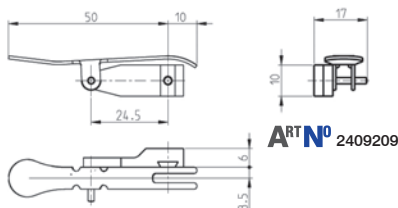
ART N° 249997	ART N° 249997	ART N° 249998	ART N° 240998
Dial Indicator	Dial Indicator	Dial Indicator	Dial Indicator
240280 – 240287	240250 + 240255	241001 + 241002	240001 – 240003
—	—	241114 – 241116	240121 – 240123
—	—	—	240001-1 + 240121-1

ART N° 249992	ART N° 2409208	ART N° 2409209	ART N° 240992
Dial Indicator	Dial Indicator	Dial Indicator	Dial Indicator
241101 – 241103	240230 + 240232	240231 + 240233	240101 – 240103
241118 + 241119	—	—	240106 – 240108
241121 + 241131	—	—	240111 + 240131-1
241136 + 241137	—	—	—



Lifting Device

- for our analogous and digital dial indicators
- choose according to our dial indicator art. no. the right lifting device



ART N° 249994



ART N° 2409210



ART N° 2409210	ART N° 249994	ART N° 249996	ART N° 2409209
Dial Indicator	Dial Indicator	Dial Indicator	Dial Indicator
240230 + 240232	240251 + 240252	240800 + 240803	240231
—	240256 + 240257	241804	240233

Backside Cover

- flat or with lug
- for our analogous and digital dial indicator
- please choose the suitable backside cover according to the art. no. of our dial indicator

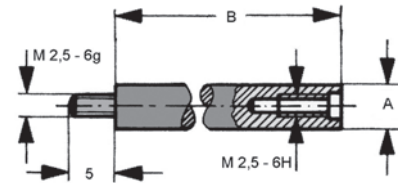


ART N° with lug	ART N° flat	suitable for dial indicator
249900	249901	241101 241102 241103 241131
249902	249903	241001 241002
249908	249909	241143
249990	249991	241114 • 241115 • 241116
249910	249911	242055 • 242056 • 242057 242060 • 242061 • 242062 242063 • 242160 • 242162 242163 • 242164 • 242140 242150 • 240250 • 240255

ART N° with lug	ART N° flat	suitable for dial indicator
240980	240981	240005 • 240007 • 240009 • 240030 • 240031 240101 • 240102 • 240103 • 240104 • 240106 240111 • 240131 • 240132 • 240133 240134 • 240135 • 240141 • 240143 • 240151 240153 • 240800 • 240803 • 240810 • 240813
240982	240983	240001 • 240002 • 240003 • 240004 • 240006 240008 • 240121 • 240122 • 240123 • 240142 240144 • 240152 • 240154
240984	240989	241118 • 241119 • 241121 • 241134 241136 • 241137 • 241142
240987	240988	240230 • 240231 • 240232 • 240233

Extensions

- for analogous and electr. digital dial indicators



ART N°	length B mm	ø A mm
24095010	10	4
24095020	20	4
24095030	30	4
24095040	40	4
24095050	50	4
24095060	60	4
24095070	70	4
24095080	80	4
24095090	90	4
240950100	100	4

ART N°	length B mm	ø A mm
24095110	10	5
24095120	20	5
24095130	30	5
24095140	40	5
24095150	50	5
24095160	60	5
24095170	70	5
24095180	80	5
24095190	90	5
240951100	100	5

Measuring Bridge for Depth Measurements

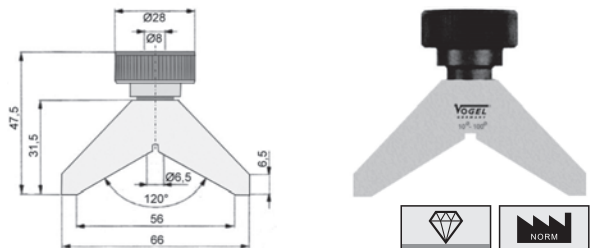
- with extensions rods, as set
- suitable for all analogous or digital dial indicators
- measuring bridge made of steel, hardened, chromed
- stainless steel extensions, with M2.5 inside/outside thread



ART N°	size of measuring bridge mm	sizes of extension rods mm
240525	80 (Art. no.: 240511)	10 / 20 / 30 / 40 / 50 / 60 / 70 / 80 / 90

Measuring Bridge for Depth Measurements

- with prismatic base
- suitable for all analogous or digital dial indicators
- for measuring the depth of keyways in cylindrical shafts, etc.
- made of steel, hardened, matt chrome finish
- measuring surface lapped
- bore-ø 8 H7



ART N°	length of bridge mm	for shafts-ø mm	width mm
240520	66 x 16	10 – 100	16

Measuring Bridge for Depth Measurements

- suitable for all analogous or electr. digital dial indicators
- made of steel, hardened, matt chrome finish or black burnished
- measuring surface lapped, bore-ø 8 H7



ART N° burnished	ART N° chromed	length of bridge mm	width mm
240500	240510	50	16
240501	240511	80	16
240504	240514	100	16
240502	240512	120	20
240503	240513	150	20

Accessories for Dial Indicators

Contact Points

- for analogue and electr. digital dial indicators

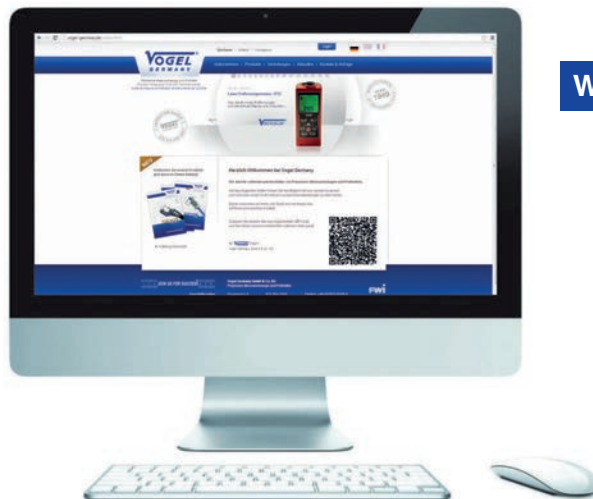
<p>ART N° Steel</p> <p>240952</p>	<p>ART N° Steel</p> <p>240953</p>	<p>ART N° Steel</p> <p>240954</p>	<p>ART N° Steel</p> <p>240955</p>
	<p>ART N° Carbide</p> <p>2409531</p>	<p>ART N° Carbide</p> <p>2409541</p>	<p>ART N° Carbide</p> <p>2409551</p>
<p>ART N° Steel</p> <p>240956</p>	<p>ART N° Steel</p> <p>240957</p>	<p>ART N° Steel</p> <p>240958</p>	<p>ART N° Steel</p> <p>240959</p>
<p>ART N° Carbide</p> <p>2409561</p>		<p>ART N° Carbide</p> <p>2409581</p>	<p>ART N° Carbide</p> <p>2409591</p>
		<p>ART N° Ruby</p> <p>2409582</p>	<p>ART N° Ruby</p> <p>2409592</p>
<p>ART N° Steel</p> <p>240960</p>	<p>ART N° Steel</p> <p>240961</p>	<p>ART N° Steel</p> <p>240962</p>	<p>ART N° Steel</p> <p>240963</p>
		<p>ART N° Carbide</p> <p>2409621</p>	<p>ART N° Carbide</p> <p>2409631</p>

Accessories for Dial Indicators

ART N° Steel 240964	ART N° Steel 240965	ART N° Steel 240966	ART N° Steel 240967
ART N° Carbide 2409641			
ART N° Carbide 2409671	ART N° Ruby 2409672	Carbide	Ruby

Explore our **Website.**

www.vogel-germany.de



Any questions?

We are pleased to advise.

Accessories for Dial Indicators

Inside Test Indicators

- without dial indicator
- designed to check small bore holes
- sturdy version, hammer blow lacquered
- suitable for all analogous and digital dial indicators
- bore- \varnothing 8 H7, shaft- \varnothing 8 h6

Angle Test Indicators

- without dial indicator
- to controll small bores on lathes and various tool machines
- sturdy version, hammer blow lacquered
- suitable for all analogous and digital dial indicators
- bore- \varnothing 8 H7, shaft- \varnothing 8 h6

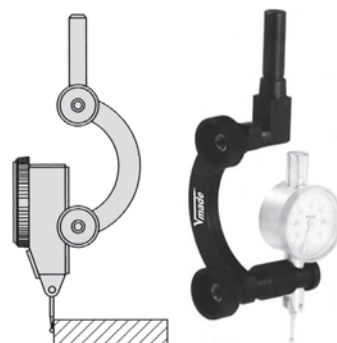


ART No	measuring depth mm	smallest bore to be measured \varnothing mm
240646	60	6
240647	30	6

Centering Holders

- allows large cylinder diameters or holes to be centered
- suitable for all dial indicators and for dovetail guide
- made of steel, black burnished

ART No	for bore- \varnothing mm	shaft- \varnothing mm	for dove tail guide
240997	4 + 8	8	✓



Clamp Holders

- suitable for all dial indicators and for dovetail guide
- made of steel, black burnished

ART No	mm	for bore- \varnothing mm	for dovetail guide
249993	72 x 12 x 6	4 + 8	✓
249924	72 x 12 x 6	6 + 8	✓
249920	\varnothing 6 x 70	—	✓
249921	\varnothing 8 x 70	—	✓
249922	76 x 9 x 9	6 + 8	✓
249923	76 x 9 x 9	4 + 8	✓



Clamping Shaft

- made of steel, black burnished or stainless steel, polished

ART No	shaft- \varnothing mm	ART No	shaft- \varnothing mm
240995	4 h6	240996	8 h6
240995-1	6 h6	240996-1	8 h6
240995-2	4 h6	—	—

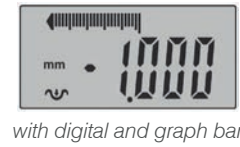


Electr. Digital Test Indicator • IP54

- with data transfer via cable

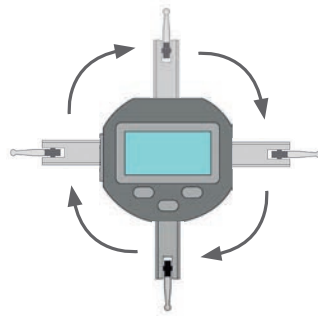
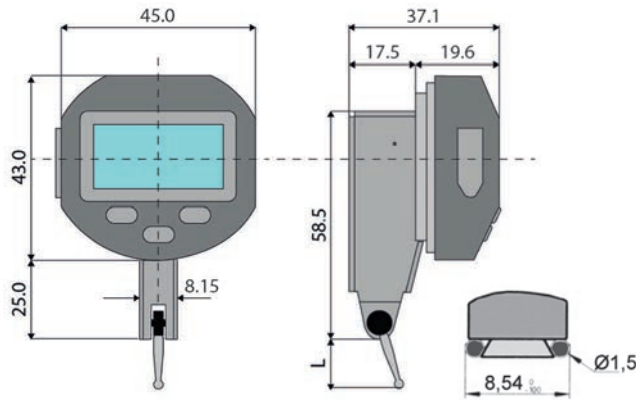
- mechanical parts in stainless steel, hardened
- aluminium housing, front panel made of polyamide
- LCD display with clear reading, digit height 10 mm, more than 360° moveable
- autom. power off
- mm/inch switchable, selection of measuring direction
- housing with 3 dovetail guides
- incl. 1x 3 V battery (Type CR2032, art. no.: 90112)
- incl. operation manual

Accessories for our test indicators can be found on page 141



Option

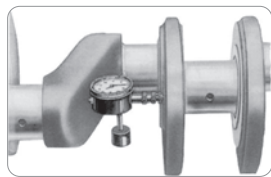
- data transfer via cable, art. no.: 3420195, see page 272



ART No	mm	mm / inch	Measuring range mm / inch	mm	mm	Measuring force N	L mm	CC
240682	0 – 1.6	0.001 / 0.0001	±0.8 / ±0.03	0.001	0.01	0.07 ± 15 %	13	on request

Crankshaft Testing Instruments

- for testing crankshaft deflections and for the alignment of crankshaft bearings during engine assembly
- used in ship engines, car engines, compressors, etc.



ART No	mm	mm	housing-ø of dial indicator mm	CC
240162-2	60 – 500	0.01	40	on request

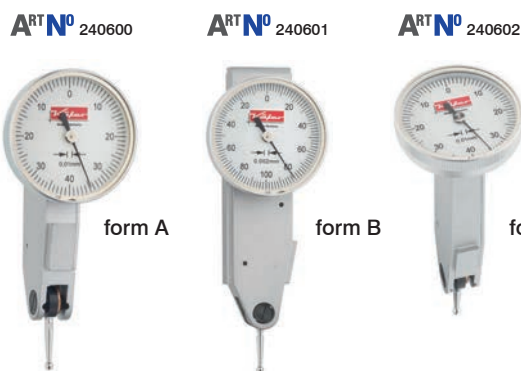
Test Dial Indicators

Käfer • Dial Test Indicator

DIN 2270

- for toolmakers, for checking of difference measurement
- to check the parallelism, smoothness and trough running

- solid brass housing, matt chrome finish
- with friction clutch, means shock proof
- housing with dovetail guide
- important bearings machined in ceramic stones
- carbide measuring ball- \varnothing 2 mm, exchangeable
- contact points reverses, always maintaining clockwise
- scale mounted in turnable knurled grip ring



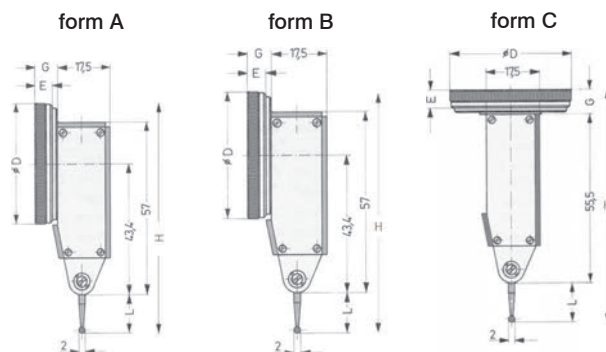
DIN

ART No form A	ART No form B	ART No form C	mm	measuring range mm	mm	L mm	\varnothing D mm	quantity of dovetail guides		CC
								form A+B	form C	
240600	240601	240602	0 – 40 – 0	0.8	0.01	12	32	3	2	on request
240610	240611	240612	0 – 100 – 0	0.2	0.002	12	32	3	2	on request
240630	240631	240632	0 – 25 – 0	0.5	0.01	35	32	3	2	on request
240640	240641	240642	0 – 40 – 0	0.8	0.01	12	40	3	2	on request
240650	240651	240652	0 – 25 – 0	0.5	0.01	35	40	3	2	on request
240660	240661	240662	0 – 100 – 0	0.2	0.002	12	40	3	2	on request

Dimensions of Dial Test Indicators

DIN 2270

article-Type	D mm	E mm	G mm	H mm
240600+240610	32	5.6	7.1	69.5
240601+240611	32	5.6	7.7	69.5
240602+240612	32	5.6	7.5	69.5
240630	32	5.6	7.1	69.5
240631	32	5.6	7.7	69.5
240632	32	5.6	7.5	73.5
240640+240660	40	6	7.5	73.5
240641+240661	40	6	8.1	73.5
240642+240662	40	6	7.9	73.5
240650	40	6	7.5	73.5
240651	40	6	8.1	73.5
240652	40	6	7.9	98.4



Dial Test Indicator

- standard quality

- solid brass housing, matt chrome finish
- carbide measuring ball \varnothing 2,5 mm, exchangeable
- contact points reverses, always maintaining clockwise
- scale mounted in turnable knurled grip ring
- incl. clamp holder \varnothing 6 mm + \varnothing 8 mm at art. no. 246600 until 246660



NORM

Accessories for test indicators
can be found on page 141

ART No	mm	measuring range mm	mm	L mm	\varnothing D mm	quantity of dovetail guides	CC
246600	0 – 40 – 0	0.8	0.01	13.5	30	3	on request
246610	0 – 100 – 0	0.2	0.002	13.5	30	3	on request
246640	0 – 40 – 0	0.8	0.01	16.5	37.5	3	on request
246641	0 – 40 – 0	0.8	0.01	43.4	30	3	on request
246660	0 – 100 – 0	0.2	0.002	13.5	37.5	3	on request
246661	0 – 40 – 0	0.8	0.01	43.4	37.5	3	on request

Probes for Dial Test Indicators

- suitable for dial test indicators art. no. 240600 – 240662
- with carbide or ruby ball, length 12 + 35 mm

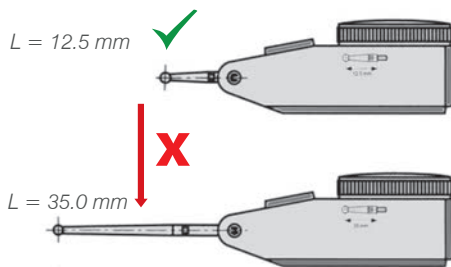
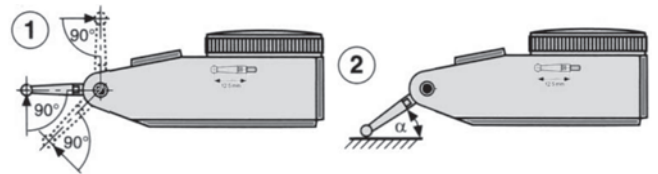


Probes for Dial Test Indicators

- suitable for dial test indicators art. no. 246600 – 246690
- with carbide ball, length 13.5 mm + 16.5 mm

Reference to application of Dial Test Indicators

For accurate measurements the axis of the contact point must be perpendicular to the measuring direction (fig.1). If this is not possible, it is necessary to multiply the reading on the dial with a correction factor, which depends on an angle α (fig. 2). The correction factor is negligible for angles below 15°.



Use only the probe whose length is engraved on the housing, please!

angle α	15°	30°	45°	60°
corr.-faktor	0.96	0.87	0.7	0.5
example:				
angle α :	30° (estimated)			
reading on dial:	0.38 mm			
measuring result:	$0.38 \times 0.87 = 0.33$ mm			



Send us a partnership request



OXOMI.com



Complete catalogue assortment searchable on OXOMI.com

Zero Setting and Centering Devices

Electr. Digital Zero Setting Device • IP65

- water- and coolant proof acc. to DIN 40050 / IEC 60529
- with magnet inserts in the bottom
- for setting tools (e.g. end mills) to zero determining the reference point of the machine spindle
- no damage to cutting edge of tool during setting
- sturdy metal housing, black burnished
- LCD display with clear reading, digit height 8 mm
- incl. 1x 3 V battery (Type CR2032, art. no.: 90112), and operation manual



example



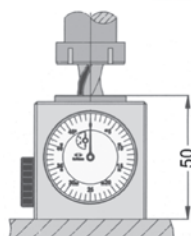
ART N°	mm / inch	spring range of contact plate mm / inch	contact plate-ø mm	
271010	0.002 / 0.00005	0 – 2.4 / 0 – 0.094	24	ø 50 x 51

Zero Setter with permanent magnetic base

- to adjust the tools, for example milling tools, to the „0“-position and for to determine the reference point of the machine spindle
- no feeler gauge or starting contact is needed
- no damages at the measuring element and at the work piece

Operational instruction:

- calibrate the zero setter by putting a parallel on the setter and press it against on the spring loaded surface and set the dial gauge at „0“
- put the setter on machine table or workpiece reference surface. Move spindle to bring cutting tool to touch measuring surface and read
- the dial gauge carefully. When the dial points are at „0“, the distance between tool end and machine table is 50 mm (±0.01 mm)

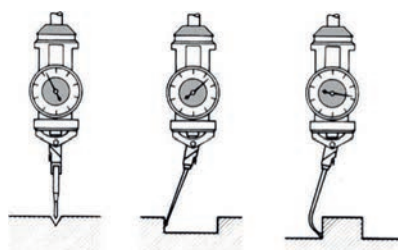


ART N°	mm	spring range of contact plate mm	contact plate-ø mm	total height mm		
271052	0.01	0 – 2	32	50	50 x 50 x 50	0.01

Centering Devices

- for the central alignment of bores and spindles on tool machines

- with bended and straight probes in different length
- clamping shaft ø 10 mm
- reading 0.01 mm
- accuracy of centering 0.02 mm



ART N° 272011



ART N° 272001

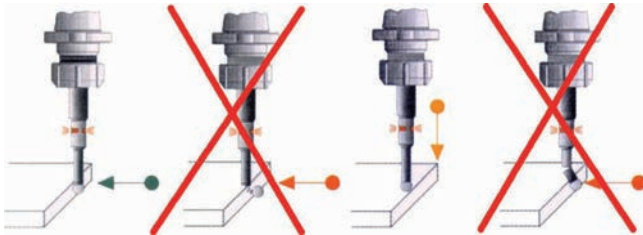


ART N°	mm		Length of straight probes mm	Length of bended probes mm	Length of center probes mm
272001	0.01	0 – 3	45, 100, 154	46, 100, 154	52.5
272011	probes set	—	45, 100, 154	46, 100, 154	52.5

Edge Finders

- with LED signal light
- art. no. 270015 + 270018 with acoustic signal and signal light
- for adjusting basic surfaces or edges

- stainless, hardened, fine ground
- with hardened contact ball

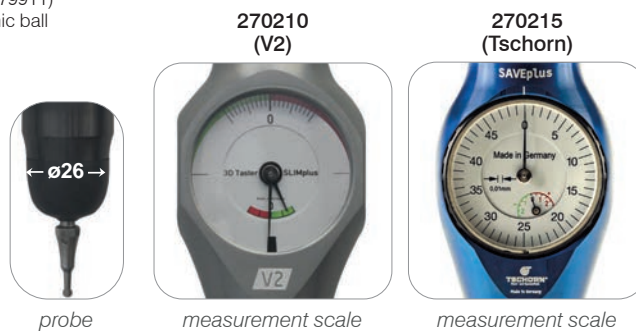


ART No	Type	acoustic signal	contact ball- ϕ mm	clamping shaft- ϕ mm	mm	mm	ART No battery	battery Type
270015 (Vogel)	2-D	✓	10	20	5	158	90008	23 A / 12 V
270017 (Tschorn)	3-D	—	10	16	5	111	90008	23 A / 12 V
270018 (Tschorn)	3-D	✓	10	20	5	131	90008	23 A / 12 V

3D-Probe, with Dial Indicator

- extremely slim and rugged housing
- allows quick and easy determination of workpiece zero points and length

- contact point with predetermined breaking point
- large travel paths, limited by mechanical stops
- Art. no. 270210: solid carbide ball, with standard probe, size ϕ 3 x 27 mm (art. no.: 279911)
- Art. no. 270215: solid ceramic ball



ART No	Type	mm	contact ball- ϕ mm	clamping shaft- ϕ mm	mm
270210 (V2)	3-D	-1.5 / 0 / 2	3	12	124
270215 (Tschorn)	3-D	-1.5 / 0 / 2	3	12	134

Probes, as Spare Part

- solid ceramic ball



ART No 279911



ART No 279912



ART No	description	ball- ϕ mm	mm
279911	probe „Standard“	3	27
279912	probe „Extra“	6	62

Edge Finders and Measuring Stands

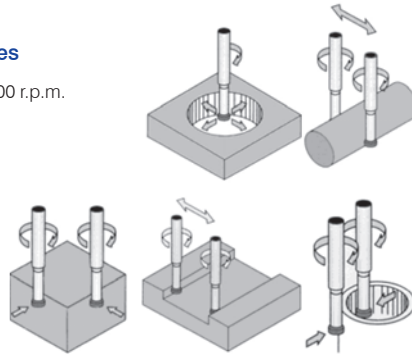
Edge Finders

• for adjusting basic surfaces or edges

- rotational speed of spindle approx 400 – 600 r.p.m.
- hardened steel, HRC 58

Options

- Spare Part Spring (art. no.: 270090) for Edge Finder art. no. 270010 / 270011
- Spare Part Spring (art. no.: 270091) for Edge Finder art. no. 270009



ART N° 270011

ART N° 270010

ART N° 270009



ART N° steel, hardened	contact tip-ø mm	clamping shaft-ø mm	→ ← mm
270009	6 / 10	10	74
270010	10	10	84
270011	4 / 10	10	88

Universal Magnetic Measuring Stands

- for all kind of measurements in various position
- for professional use

- chromed stem, with fine adjustment
- clamping connection by cross head at art.-no. 250201 + 250203
- with clamping connection by grip clamp at art.-no. 250204
- sturdy magnetic block, On/Off-rotary switch made of aluminium, prismatic base and with a flat ground face backwards
- hammer blow blue lacquered magnetic block
- dial indicator shank ø 8 mm



clamping head at art.-no. 250204



ART N°	total height mm	column ø x length mm	arm length mm	thread mm	magnetic block mm	magnetic power ~ N
250201	295	16 x 230	250	M 10	70 x 45 x 65	650
250203	500	20 x 420	250	M 12	75 x 60 x 80	800
250204	295	16 x 230	250	M 10	70 x 45 x 65	650

Universal Magnetic Measuring Stands

- for all kind of measurements in various position
- economy model, for simple demands

- chromed stem, with fine adjustment, lacquered magnetic block
- clamping connection by cross head
- sturdy magnetic block, On/Off-switch made of rugged plastic, prismatic base and with a flat ground face backwards
- dial indicator shank ø 4 mm and ø 8 mm



ART N°	total height mm	column ø x L mm	arm length mm	thread mm	magnetic block mm	magnetic power ~ N
252001	235	12 x 175	140	M8	65 x 50 x 55	600
252002	280	16 x 220	200	M10	65 x 50 x 55	600

Magnetic Measuring Stands

- triple-jointed arm with central mechanical clamping
- particularly for use in hard to reach places
- high-end product with unrestricted mobility
- elocated aluminium column, corrosion-resistant, universal rotating
- with fine adjustment by knurled screw
- sturdy magnetic block
- art.-no. 250301: with On/Off-rotary switch made of aluminium
- hammer blow lacquered magnetic block
- magnetic block with prismatic base and with a flat ground face backwards
- dial indicator shank \varnothing 8 mm and with dovetail for dial test indicators



ART N°	total height mm	column \varnothing x length mm	arm length mm	thread mm	magnetic block mm	magnetic power ~ N
250301	430	18 x 370	320	M 10	70 x 45 x 65	650

Magnetic Measuring Stands

- triple-jointed arm with central mechanical clamping
- all joints are clamped with just one twist grip
- ball joints allow a fast and safe positioning
- infinitely adjustable clamping force with high stability
- scratch-resistant, black anodized column
- with fine adjustment by knurled screw
- dial indicator shank \varnothing 6 mm, \varnothing 8 mm and for dove tail clamping
- magnetic base with On/Off-switch
- hammerblow lacquered magnetic base, with prism base

ART N° 250333



ART N° 250331



ART N°	total height ~ mm	total length of column ~ mm	arm length ~ mm	thread mm	magnetic block mm	magnetic power ~ N
250331	350	295	140	M8	65 x 50 x 55	800
250332	440	390	180	M8	74 x 50 x 55	1000
250333	695	640	270	M10	118 x 50 x 55	1300

Explore our
Website.

www.vogel-germany.de



VOGEL
GERMANY

Any questions?

We are pleased to advise.

Measuring Stands

Magnetic Measuring Stands

- with central mechanical clamping
- particularly for use in hard to reach places
- standard model with unrestricted mobility

- chromed column, corrosion-resistant, universal turnable
- art.-no. 255001, 250319 and 250320: with sturdy magnetic block, On/Off-switch
- with prismatic base and with a flat ground face backwards,
- art.-no. 250300 and 250304 with permanent magnetic base with lacquered magnetic block
- dial indicator shank \varnothing 8 mm and dovetail for dial test indicators, with fine adjustment
- art.-no. 250300 and 250320 with shank \varnothing 6 mm and dovetail



ART No	total height mm	column \varnothing x length mm	arm length mm	thread mm	magnetic block mm	magnetic power ~ N
255001	400	10/12 x 345	330	M 8	65 x 50 x 55	600
250300	105	10/17 x 65	45	M 5	\varnothing 28 x 30	120
250304	205	8/20 x 175	100	M 5	\varnothing 35 x 30	120
250319	210	8/20 x 175	100	M 5	36 x 30 x 35	300
250320	108	10/17 x 65	45	M 5	36 x 30 x 35	300

Universal Measuring Stands

- with flexible articulated arm
- particularly for use in hard to reach places
- with unrestricted mobility

- flexible stem with locking lever, adjustable to any position
- sturdy magnetic block, On/Off-switch
- with prismatic base and with a flat and fine ground face backwards
- with lacquered magnetic block
- dial indicator shank for \varnothing 10 mm and \varnothing 8 mm adjustable



ART No	total height mm	column \varnothing x length mm	arm length mm	thread mm	magnetic block mm	magnetic power ~ N
251501	395	16 x 340	240	M8	65 x 50 x 55	600

Universal Magnetic Measuring Stand

- for professional 3-point clamping with just one twist grip
- stable clamping with ergonomically shaped handle
- ball joint in the foot for flexible positioning, with clamping lever
- stable frame with black anodized surface
- with fine adjustment by knurled screw
- dial indicator holder for clamping shanks \varnothing 6 mm, \varnothing 8mm and dovetail
- tension foot with plastic on / off lever
- tension foot with 4 strong permanent magnetic points, black painted



tension foot with 4 strong permanent magnetic points



tension foot with ball joint



ART N°	total height mm	column- \varnothing x L mm	cross arm- \varnothing x L mm	thread mm	tension foot mm	magnetic force without a protective cap ~ N
250120	360	13.5/25 x 135	25/10 x 115	M 8	110 x 70 x 42	320

Measuring Stand, with Vacuum-Base

- triple-jointed arm with central mechanical clamping
- particularly for use in hard to reach places
- high-end product with unrestricted mobility
- elocated aluminium column, corrosion-resistant, universal rotating
- with fine adjustment by knurled screw
- vacuum-base with extrem and permanent vacuum force and with locking lever
- dial indicator shank \varnothing 8 mm and with dovetail for dial test indicators



ART N°	total height mm	column \varnothing x lenght mm	arm length mm	thread mm	vacuum-base mm
250305	395	18 x 370	320	M8 + M10	\varnothing 110

Mini-Magnetic Measuring Stands

- all joints are clamped with just one twist grip
- swivel joint allow quick and safe positioning
- scratch-resistant, black anodized surface
- dial gauge holder for clamping shanks \varnothing 8 mm
- 360° swivelling
- magnet with fine ground prism
(only at art. no.: 250506)



ART N°	total height ~ mm	arm length mm	thread	magnetic block mm	magnetic power ~ N
250505	46	35	M 8	73 x 37 x 12	180
250506	59	35	M 8	73 x 37 x 26	180

Magnetic and Vacuum Bases

Magnetic Bases

- the thread is eccentrically placed on the surface, so that the magnetic core is protected from smut
- sturdy magnetic block, On/Off-rotary switch from aluminium
- hammer blow blue lacquered
- magnetic block with prismatic base and with a flat ground face backwards



ART N°	thread mm	suitable for art.-no.	→ mm ←	magnetic power ~ N
250210	M 10	250201 / 250204 / 250301	70 x 45 x 65	650
250212	M 12	250203	75 x 60 x 80	800

Magnetic Bases

- sturdy magnetic block, On/Off-switch
- magnetic block with prismatic base and with a flat ground face backwards
- hammer blow lacquered

ART N° 252010

ART N° 252014



ART N° 252015



ART N° 250310



ART N°	thread mm	suitable for art.-no.	→ mm ←	magnetic power ~ N
252010	M 8	252001 / 250401 / 251501 / 255001	58 x 50 x 55	800
252012	M 8	252001 / 250401 / 251501 / 255001 / 250332	74 x 50 x 55	1000
252014	M 5	250319 / 250320	36 x 30 x 35	300
252015	M 8	252001 / 250401 / 251501 / 255001	75 x 46 x 54	600
250310	M 10	250333	118 x 50 x 55	1300

Vacuum Base

- with powerful suction power
- with locking lever
- solid aluminium dye-cast housing
- with M10 and M8 threads



ART N°	thread mm	suitable for art. no.	→ mm ←
250312	M8 and M10	250305	ø 90 x 20

Stand Columns and Accessories

Measuring Stand Columns

- with mechanical clamping
- with fine adjustment



ART N°	column ø x length mm	thread mm	suitable for art. no.	material	shank-ø mm
250308	370	M 10	250301 + 250305	aluminium	8 + dovetail
250314	175	M 5	250304 + 250319	steel, chromed	8 + dovetail
250316	75	M 5	250300 + 250320	steel, burnished	6 + dovetail
250341	201	M 8	250331	steel, anodized	6 + 8 + dovetail
250342	246	M 8	250332	steel, anodized	6 + 8 + dovetail
250343	568	M 8	250333	steel, anodized	6 + 8 + dovetail
255008	345	M 8	255001	steel, chromed	8 + dovetail
259925	150/190	ø 8 x 40	shaft-ø 8 mm	steel, chromed	8 + dovetail

Measuring Stand Columns

- rigid column
- with fine adjustment



ART N°	column ø x length mm	thread mm	suitable for art. no.	material	shank-ø mm
250205	16 x 230	M 10	250204	steel, chromed	8
250208	20 x 425	M 12	250203	steel, chromed	8
250209	16 x 230	M 10	250201	steel, chromed	8
252008	16 x 220	M 10	252002	steel, chromed	8
252009	12 x 175	M 8	252001	steel, chromed	8

Measuring Stand Columns

- flexible tubular steel sections
- with wire-rope tension



ART N°	column ø x length mm	thread mm	suitable for art. no.	material	shank-ø mm
250508	16 x 340	M 8	251501	steel, burnished	6 + 8

Accessories for Stand Columns and Measuring Tables

Accessories for Measuring Stands

ART N°	article description
259902	cross joint for 250201
259903	cross joint for 250203
259909	cross joint for 252001
259910	cross joint for 252002
259906	grip clamp for 250204 + 251020
259901	dial indicator shank for 250201 / 250203 + 250204
259911	dial indicator shank for 250301 / 250302 + 250305 ø 8+dovetail
259912	dial indicator shank for 250401 + 255001 ø 8+dovetail
259904	spanner M6 for 252001 + 252002
259905	spanner M8 for 250201 / 250203 + 250204
259908	spanner M5 for 250304 + 250319



Measuring Tables

• without dial indicator

- flat measuring table, steel, hardened and ground surface
- chromed column, rigid measuring arm, with fine adjustment
- dial indicator shank ø 8 mm
- Measuring table flat



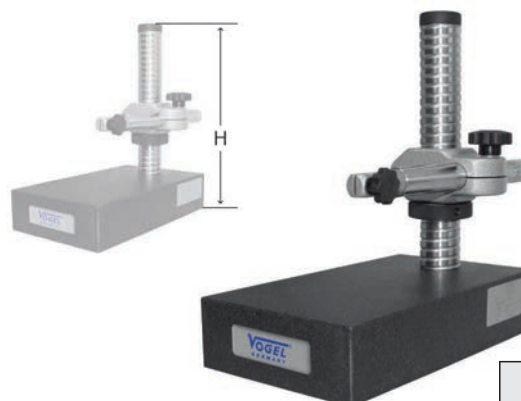
ART N°	mm	measuring height mm	outreach mm	column ø mm	flatness mm
258011	ø 60	125	75	25	0.008
258013	60 x 60	125	75	25	0.008

Precision Measuring Tables

DIN 876/00

- made of black granite
- for the measuring room and calibration laboratory

- measuring surface fine ground and diamond lapped
- hardened column with height adjustment and setting ring
- with adjustable cross arm
- dial indicator shank ø 8 mm



ART N°	mm	meas. height mm	arm length mm	total height (H) mm	column ø mm	cross arm ø mm
250815	250 x 150 x 50	165	180	270	35	22
250816	300 x 210 x 60	235	225	360	35	22
250817	400 x 300 x 70	300	270	450	35	22

Precision Measuring Tables

DIN 876/00

- made of black granite
- for the measuring room and calibration laboratory


- measuring surface fine ground and diamond lapped
- hardened column with height adjustment and setting ring
- with adjustable cross arm
- dial indicator shank \varnothing 8 mm

Option

- cross arm with fine adjustment, art. no.: 258052



DIN

ART N°	 table	measuring height mm	arm length mm	total height (H) mm	column- \varnothing mm
258051	80 x 80 x 20	120	62	205	25

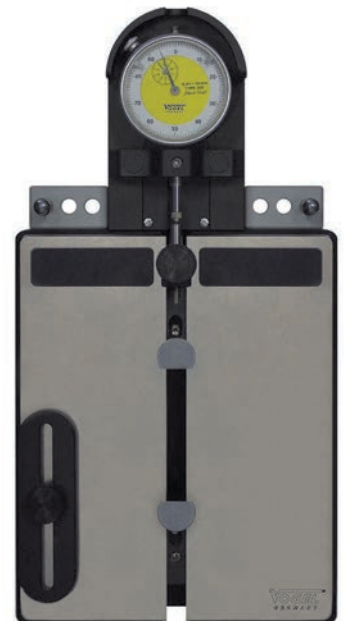
Universal Comparative Measuring Instrument, without Dial Indicator

- for measuring inside- and outside diameters of grooves, reverse turns, thread turns etc.
- with one fixed and one movable probe


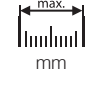
- rugged construction, measuring table stainless, hardened
- measurement can be done by analogy dial indicator or by digital dial indicator
- different probes are available, interchangeable
- large application range, for comparison measurements
- dial indicator shank \varnothing 8H7
- further accessories, e.g. calibrated gauge blocks or setting rings on request
- with instruction manual

Measuring Probes included









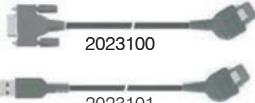



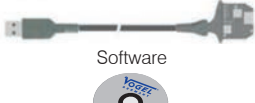


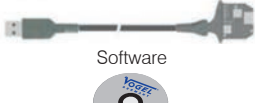













- stainless, hardened
- 1 pair of measuring probes art.-no.: 391010-01, \varnothing 10 x 40 mm, spherical shaft, shaft \varnothing 8 mm
- 1 pair of measuring probes art.-no.: 391010-02, \varnothing 20 x 34 mm, probe reduced, shaft \varnothing 8 mm



CE NORM

ART N°	 mm	 table mm	 mm
391010	100	202 x 167 x 110	2.0

Data Processing

	ART N°	article description		ART N°	article description
 <p>compatible with</p> 	2040101	WiFi	 <p>compatible with</p> 	3420195	<p>USB - Mini-USB interface box with data key and with foot switch port</p> <p>optional, additional available: foot switch (art.-no.: 209011)</p>
 <p>compatible with</p> 	2040102	WiFi Mini-USB	 <p>compatible with</p> 	230139	<p>USB - Mini-USB interface box with data key and with foot switch port</p> <p>optional, additional available: foot switch (art.-no.: 209011)</p>
 <p>2023100 2023101</p> <p>Software</p> 	2023100	PROXIMITY - RS232 Software	 <p>compatible with</p> 	209001	Interface USB - Mini-USB, 0.01 mm / 0.001 mm, with data key
 <p>Software</p> 	2023101	PROXIMITY - USB Software		209010	foot switch made of metal, with cinch plug 2.5 mm
 <p>Software</p> 	2424101	POWER - USB, external power Software		209011	foot switch made of metal, with cinch plug 3.5 mm
	2020188	USB - RS232, adapter (optional suitable for 2323100)		2023105	wireless data transfer transmitter module for measuring devices with proximity interface
 <p>compatible with</p> 	2420192	USB - Mini-USB (with data key) optional, additional available: foot switch (art. no. 209011)		2023104	wireless data transfer USB receiver (up to 15 m distance)
 <p>compatible with</p> 	2420194	USB-PC - Duo-Data output interface box with data key and with foot switch port (connectivity also for Mitutoyo Digimatic measuring devices) optional, additional available: foot switch (art.-no.: 209011)		2023106	wireless data transfer USB receiver Bluetooth®
				2023106S	wireless data transfer USB receiver Bluetooth®
				209000	Bluetooth® transmitter
				209009	Bluetooth® transmitter Mini-USB

Our certified QM-System is constantly controlled and improved by internal and external Audits of **TÜV Rheinland**.



Calibration certificates for our products on request, please!



Workshop Calibration Certificate in german or english language, acc. to DIN/ISO etc.

Scope: Calibration certificate indicating the deviation and limits of normal and with the test curve(s) for the measured according to the criteria of standards, confirmation of their performance. Confirmation of traceability to national normal, indicating an identification number.

Validity: Individually for each single instrument/device. Period of validity in accordance with your quality management manual (usually 12 month)

Price: See our price list, prices valid only for initial delivery from the factory, price for re-calibration on request, please.



Calibration test report by an accredited testing laboratory

Scope: As mentioned above, calibration test report as mentioned above, but accredited by testing laboratory.

Validity: Individually for each single instrumen/device. Period of validity in accordance with your quality management manual (usually 12 month)

Price: see price list, prices valid only for initial delivery from the factory, price for re-calibration on request, please.

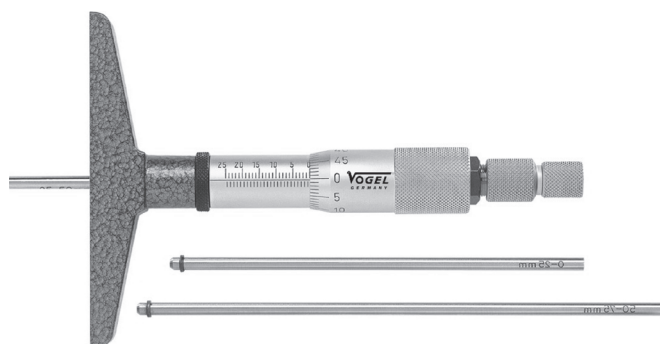
3-Point Bore Micrometers



example

50	2394020	2394020-DKD
100	2394021	2394021-DKD
180	2394023	2394023-DKD
250	2394024	—

Depth Micrometers and Extensions



example

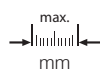
Depth Micrometers		
25	2394500	2394500-DKD
>25	2394501	2394501-DKD
Extensions		
100	2394502	2394502-DKD
200	2394504	2394504-DKD
500	2394505	2394505-DKD

Calibration

Dial Indicators



example



0 - 30	2494200	2494200-DKD
30 - 50	2494201	2494201-DKD
50 - 100	2494202	2494202-DKD
100 - 150	2494203	2494203-DKD

Dial Test Indicators



example



2494600	2494600-DKD
---------	-------------